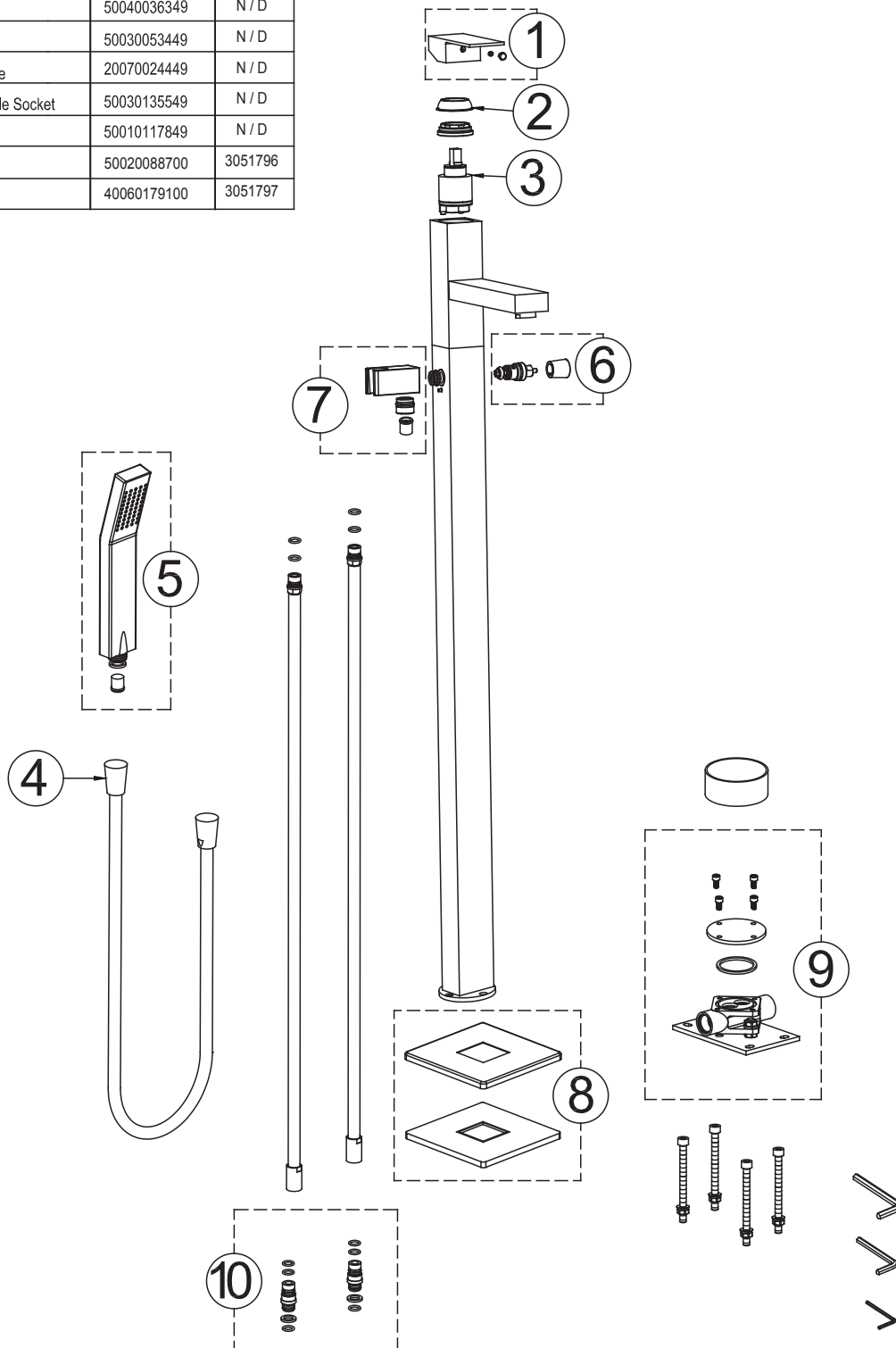


| Version | | | |
|---------|-----------------------------------|---------------|---------|
| S/N | DESCRIPTION | #PIÈCE / PART | CANAC# |
| 1 | Poignée / Handle | 20010033449 | N / D |
| 2 | Cap | 50010078149 | N / D |
| 3 | Cartouche/Cartridge 40H | 20060002800 | 3051655 |
| 4 | Tuyau / Shower Hose | 50040036349 | N / D |
| 5 | Douchette / Hand Shower | 50030053449 | N / D |
| 6 | Déviateur / Diverter Device | 20070024449 | N / D |
| 7 | Support douchette / Handle Socket | 50030135549 | N / D |
| 8 | Plaque / Plate | 50010117849 | N / D |
| 9 | Subassembly | 50020088700 | 3051796 |
| 10 | Tie-in | 40060179100 | 3051797 |

PIÈCES DE REMPLACEMENT
REPLACEMENT PARTS



CMG02-2020

| | |
|-------------------|--|
| TOLOMEO | FINI NOIR MAT MATTE BLACK FINISH |
| 33001250 | Fabriqué et emballé en Chine / Made and Packaged in China Importé par / Imported by NOVELCA Québec, Canada G2J 1C8 |
| TASSILI.CA | |



TASSILI SUPRA®