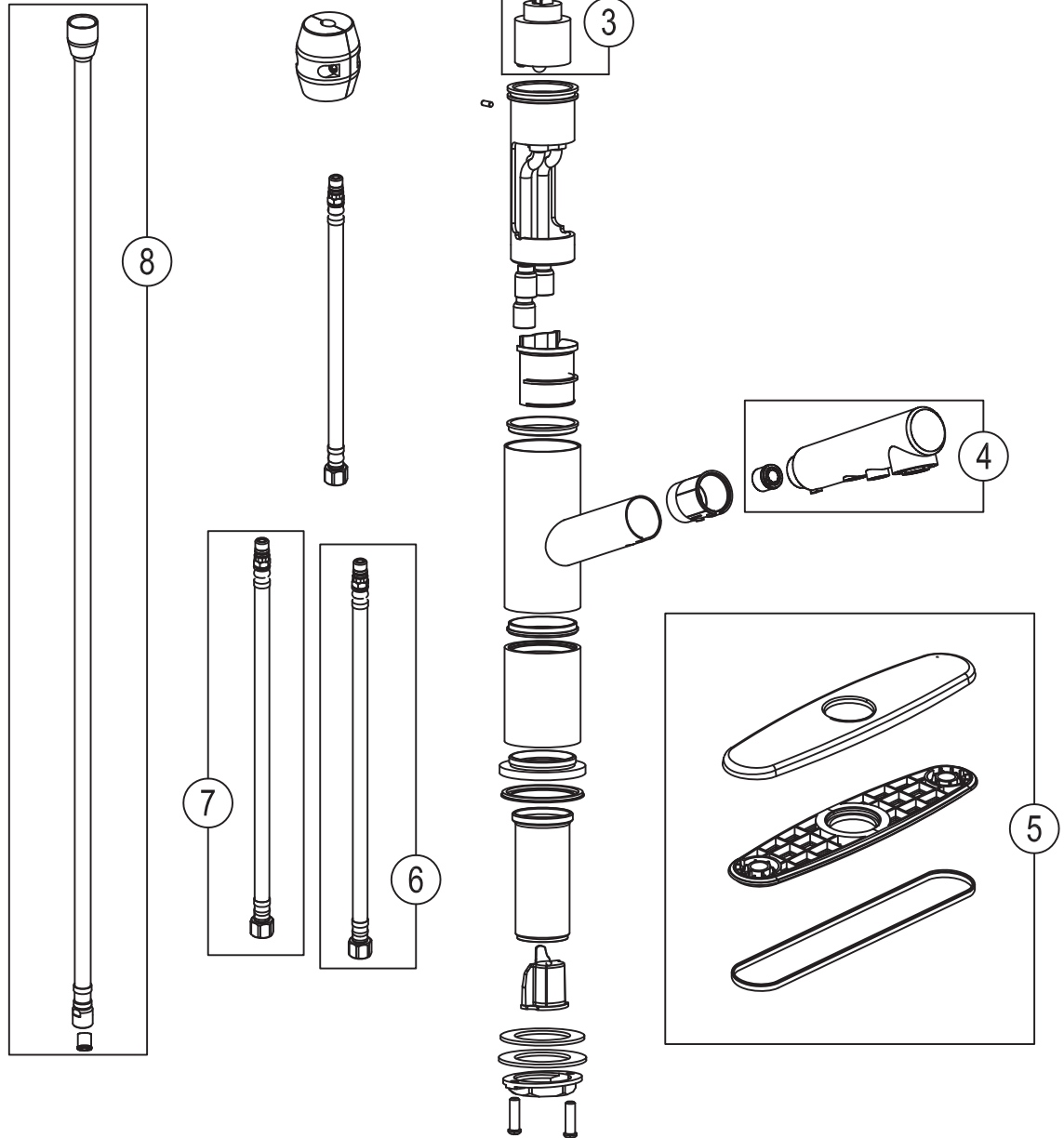


PIÈCES DE REMPLACEMENT
REPLACEMENT PARTS

| Version | | | |
|---------|-----------------------------|---------------|---------|
| S/N | DESCRIPTION | #PIÈCE / PART | CANAC # |
| 1 | poignée/Handle Ass | 40040040401 | N / D |
| 2 | Cap | 50010065501 | N / D |
| 3 | Cartouche/Cartridge 35A | 20060003200 | 3051633 |
| 4 | Douchette/Handle shower | 50030188001 | 3051656 |
| 5 | Plaque/Deckplate | 50010013001 | N / D |
| 6 | Tuyau/Hose | 50042063426 | 3051657 |
| 7 | Tuyau/Hose | 50042063421 | 3051641 |
| 8 | Tuyau douchette/Shower hose | 50040139301 | 3051639 |



CMG08-2019

| | |
|-------------------|--|
| CARLOS | FINI CHROME FINISH |
| 3051599 | Fabriqué et emballé en Chine / Made and Packaged in China |
| TASSILI.CA | Importé par / Imported by NOVELCA Québec, Canada G2J 1C8 |



TASSILI SUPRA[®]